

VICTORIAN ROOFING SERVICE Pty. Ltd.

A.B.N. 85 005 542 129

A.C.N. 005 542 129

Lot 34, Wellington Road, Lysterfield, 3156.



Telephone: 9752 8877

Fax: 9752 9070

REG. BUILDING PRACTITIONER
REG. NO: OBL1251

Member R.T.D.A.
Member V.R.T.A.

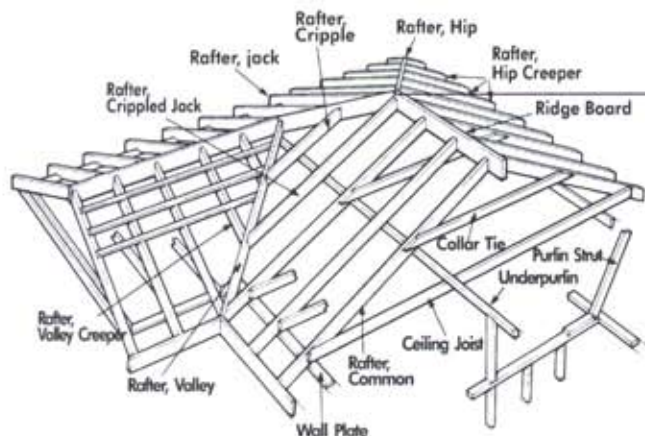
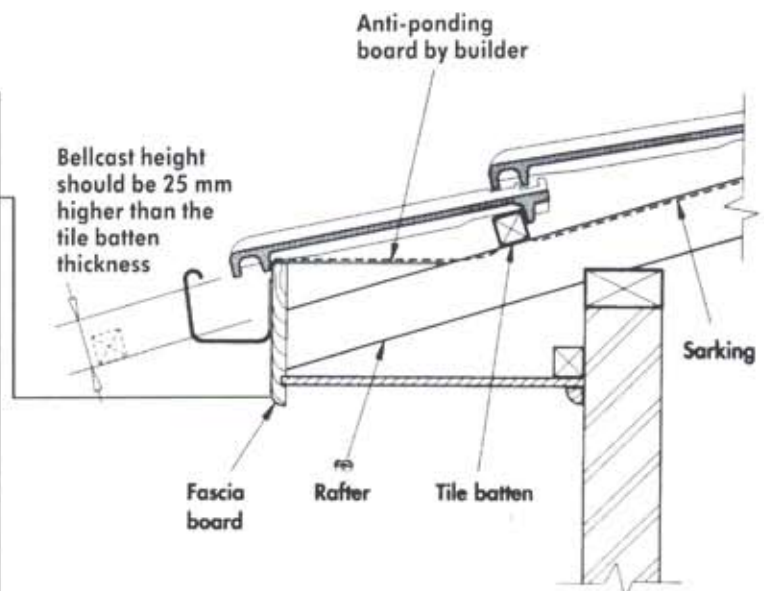
info@victorianroofing.com.au

TO BE READ IN CONJUNCTION WITH OUR TERMS AND CONDITIONS OF QUOTATION

Before we can tile your roof there are various items that have to be carried out by you, the owner, before we can start work. If the check list is completed then there can be no misunderstanding by either party as to who is responsible.

The following check list must be made before we start:

- All ceiling posts and hanging beams to be trimmed to rafter height.
 - Top ridge and hip boards to be no higher than 25mm. above rafters or ridge board.
 - If truss roof is used, bracing must be on underside of truss.
 - Fascia installed 50mm. above top of rafter for 38 x 25 or 50 x 25 batten and 65mm. for 50 x 38 batten.
 - Tilt batten if required to be supplied and fitted by builder.
-
- Barge boards must be fitted so that top edge will finish flush with top of tile batten.
Scotia should be fixed to barge board.
 - All lead flashing, barge boards and wall linings to dutch gables to be completed. Lead flashing on dutch gable to protrude 200mm. past hip board.
 - On dry gables, metal trays to be installed are not bedded and pointed.
 - Valley boards to be fitted so as to support the full width of valley iron and protrude 10mm. so that the tile batten can be fixed to edge of valley boards.



- Timber frame must be inspected and approved by Local Council.
- Valley Iron to be no less than 450mm. wide.
- Chimneys to be constructed and flashed.
- Building site must have adequate access for delivery and stacking of tiles.
- Power to be available at all times
- If you are having cathedral or lined ceilings and require insulwool blanket or bats to be installed, then you will have to counter batten that area.
- If the roof is sarked, then anti-ponding boards will have to be fitted by you, to the eave areas (if required).
- All spouting and valley irons must be installed.
- If Local Council, Tiling Union or tilers require the job to be scaffolded, then this is at the builders own cost. Our price does not include scaffolding.

POINTS TO REMEMBER

If you are using Montoro - Bristile or Wunderlich Terra Cotta tiles, keep in mind that some chipping of the tile is inevitable. The Terra Cotta tile is burnt at extremely high temperatures and is similar to most burnt clay products. Due to manufacturing techniques slight variations of colour and dyes may occur on either Terra Cotta or concrete tiles.